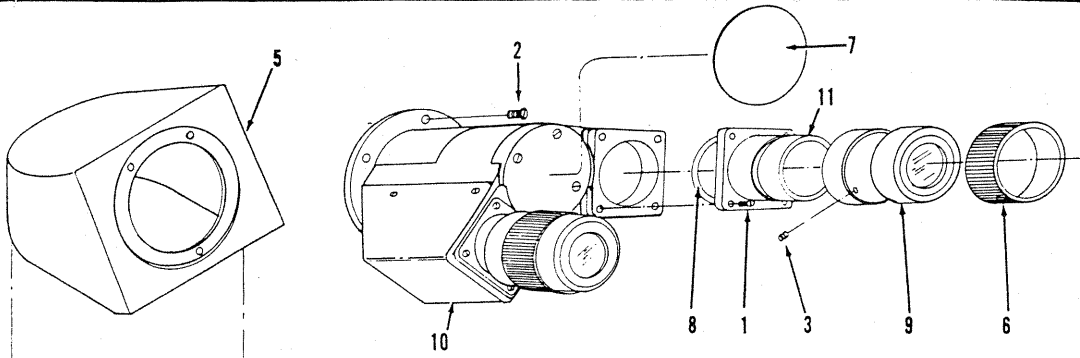
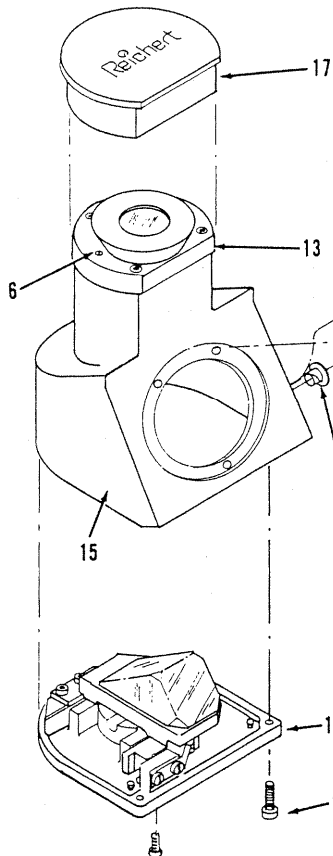


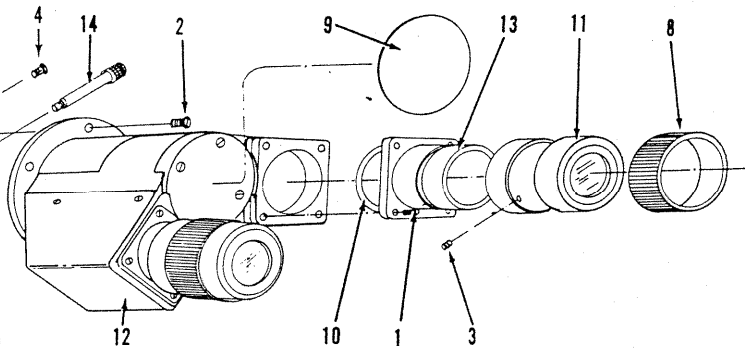
# Binocular Body No. 1942 — Parts List



| Index No. | Part Number | Description              | Quantity Per Assy. |
|-----------|-------------|--------------------------|--------------------|
| 1         | 0858-1      | Screw                    | 4                  |
| 2         | 0867-1      | Screw                    | 3                  |
| 3         | X25706      | Set Screw                | 2                  |
| 4         | 1102-43     | Screw                    | 3                  |
| 5         | 1942-2      | Body Mount               | 1                  |
| 6         | 1942-19     | Rubber Grip              | 2                  |
| 7         | 1942-20     | Label                    | 1                  |
| 8         | 1942-25     | Adjusting Washer         | 1                  |
| 9         | 1942-30     | Fixed Sleeve             | 1                  |
| 10        | 1942-851    | Body Assembly            | 1                  |
| 11        | 1942-853    | Fixed Eyetube Assembly   | 1                  |
| 12        | 1942-854    | Adapter & Prism Assembly | 1                  |



# Trinocular Body No. 1943 — Parts List



| Index No. | Part Number | Description              | Quantity Per Assy. |
|-----------|-------------|--------------------------|--------------------|
| 1         | 0858-1      | Screw                    | 4                  |
| 2         | 0867-1      | Screw                    | 3                  |
| 3         | X25706      | Set Screw                | 2                  |
| 4         | X38021      | Screw                    | 1                  |
| 5         | X53741      | Nylon Liner Bearing      | 1                  |
| 6         | 1092-7      | Screw                    | 1                  |
| 7         | 1102-43     | Screw                    | 3                  |
| 8         | 1942-19     | Rubber Grip              | 2                  |
| 9         | 1942-20     | Label                    | 1                  |
| 10        | 1942-25     | Adjusting Washer         | 1                  |
| 11        | 1942-30     | Fixed Sleeve             | 1                  |
| 12        | 1942-851    | Body Assembly            | 1                  |
| 13        | 1942-853    | Fixed Eyetube Assembly   | 1                  |
| 14        | 1943-10     | Knob Shaft               | 1                  |
| 15        | 1943-851    | Plug Assembly            | 1                  |
| 16        | 1943-852    | Adapter & Prism Assembly | 1                  |
| 17        | 1944-20     | Protective Cap           | 1                  |