

LEITZ EMED

Parts List Manual

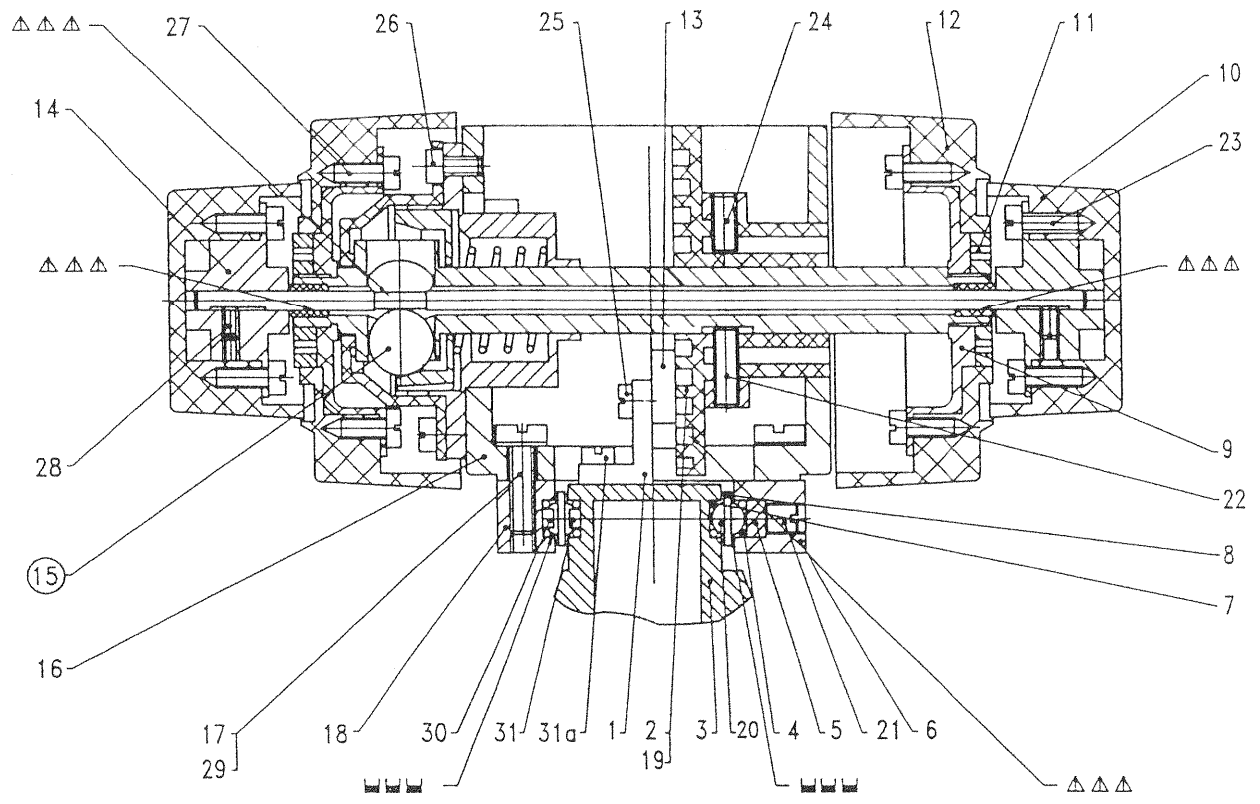
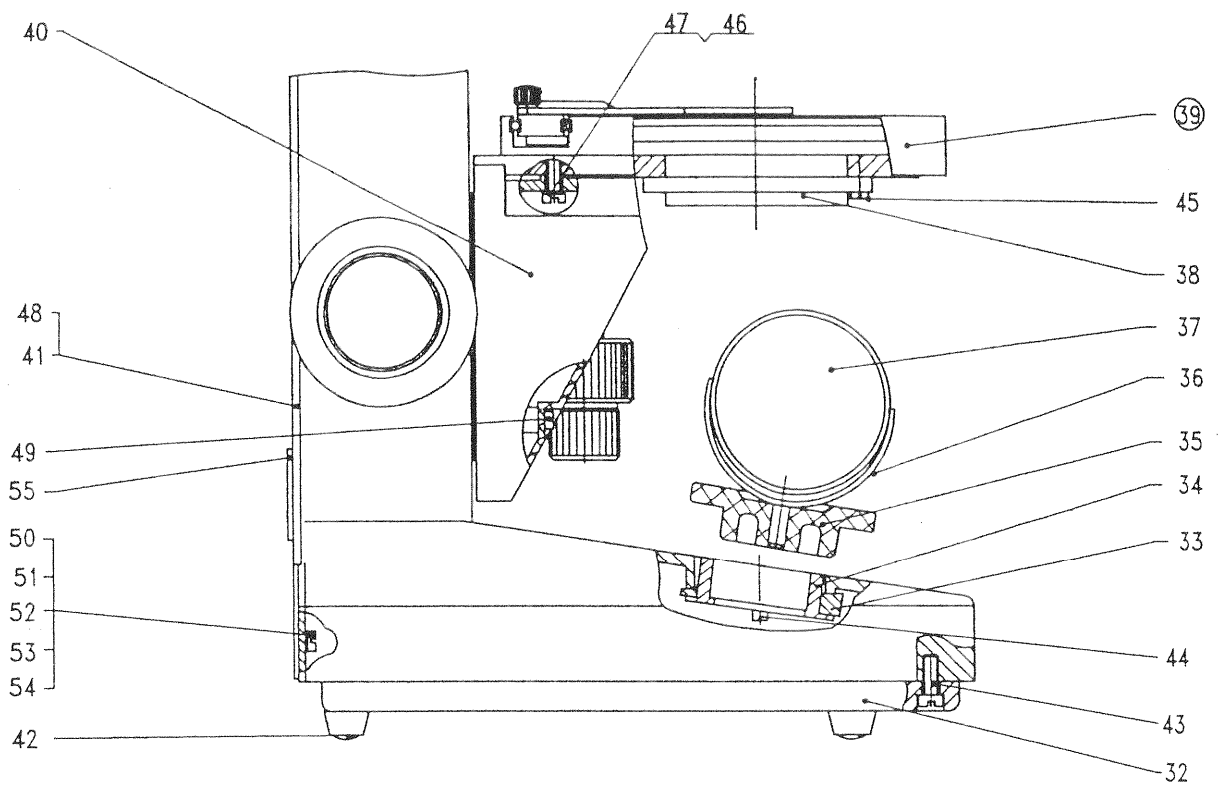
Leica

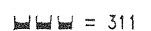
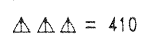
LEITZ - EMED

Parts List Manual

Contents

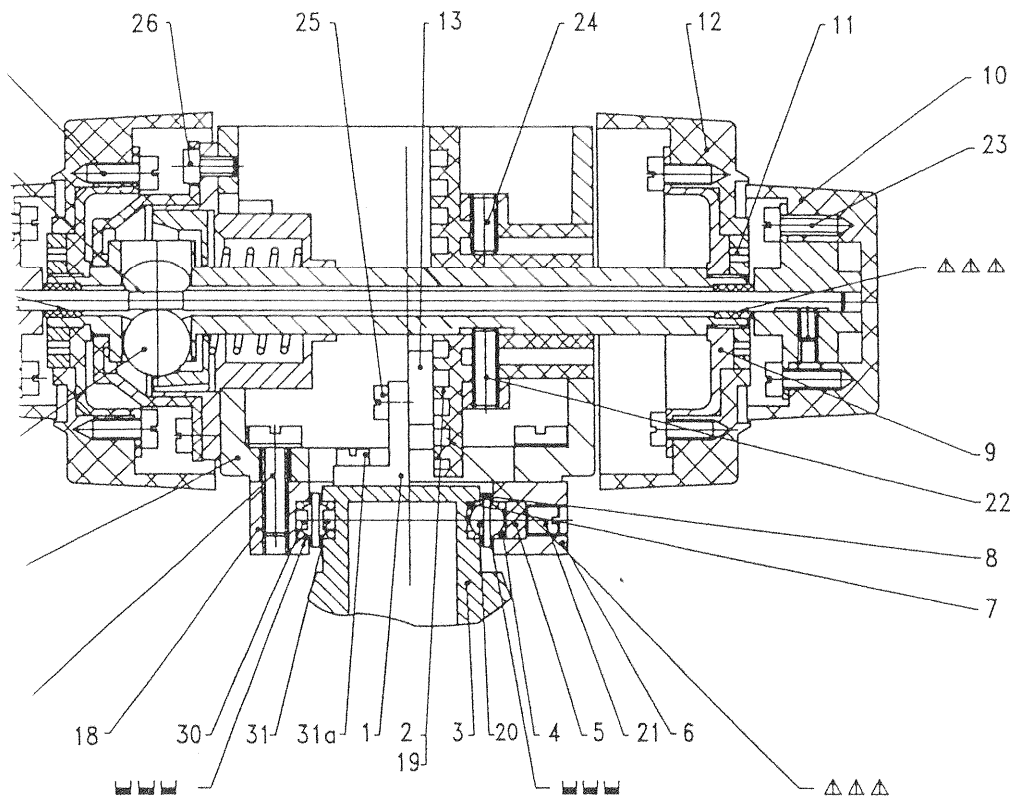
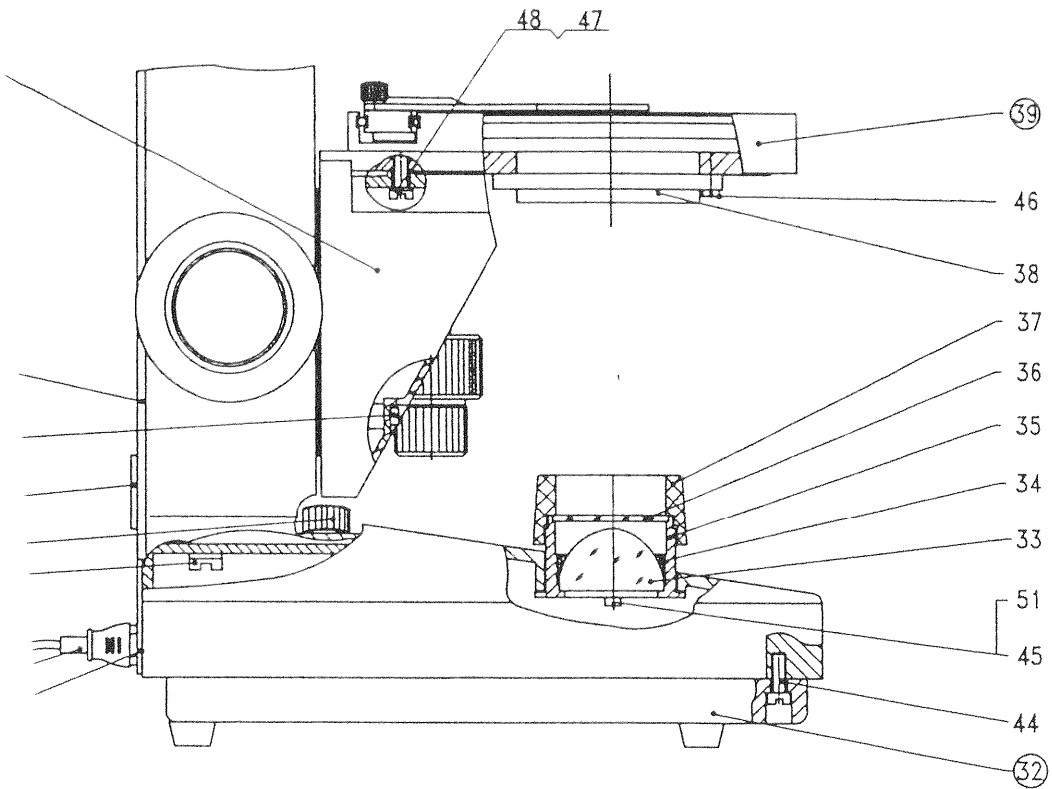
1.0	LEITZ-EMED2 Stand	3
	LEITZ-EMED2	
2.0	LEITZ-EMED6 Stand	6
	LEITZ-EMED6	
3.0	Source Base	9
4.0	Objectives and Eyepieces	12
5.0	Mechanical Stages	14
6.0	Binocular and Monocular Viewing Body	16
7.0	BIOMED Binocular Viewing Body (Option).....	19
8.0	Nosepiece	21
9.0	Condensor	23



 = 311
 = 410

No.	Drawing Number	Quantity	Parts Name	Remark
1	S21-020.010-013	1	ledge	
2	S21-020.010-015	1	disc, spiral of Archimedes	
3	S21-020.020-014	1	stage bracket	
4	S21-020.010-017	4	rod	
5	S21-020.020-013	1	ledge	
6	S21-020.020-012	1	ledge, right	
7	S21-020.010-016	4	rod	
8	S21-020.010-018	2	roller cage	
9	S21-020.010-019	2	flange	
10	020-580.010-062	2	fine control knob	
11	2XA-217	2	nut	
12	S21-020.010-020	2	coarse control knob	
13	S21-020.010-021	1	key	
14	S21-020.010-022	2	flange	
15	S21-020.010-025(Z)	1	fine focusing, Assembly	
16	S21-020.010-011	1	stand	
17	S21-020.020-100	3	screw	
18	S21-020.010-012	1	ledge, left	
19	DIN7985-M2.5x12	1	screw	BN384-M2.5x12
20	S76-308.000-400	16	ball	4 I GB308-77
21	DIN916-M3x5	2	screw	BN27-M3x5
22	DIN916-M4x12	1	screw	BN27-M4x12
23	DIN7985-M3x10	4	screw	BN381-M3x10
24	DIN913-M4x10	1	screw	BN24-M4x10
25	DIN7985-M2.5x6	2	screw	BN384-M2.5x6
26	DIN7985-M3x6	3	screw	BN380-M3x6
27	DIN7980-M3x10	4	screw	BN82428-M3x10
28	DIN916-M3x5	2	screw	BN27-M3x5
29	711-100.163-000	3	screw	BN1392-M4x12
30	S75-119.000-306	6	pin	GB119-76-3x6
31	S75-119.000-308	2	pin	GB119-76-3x8
31a	DIN7985-M3x8	2	screw	BN380-M3x8

No.	Drawing Number	Quantity	Parts Name	Remark
32	S21-020.010-003	1	base plate	
33	S21-020.010-006	1	ring	
34	S21-020.010-005	1	mount	
35	S21-060.010-001	1	mirror base	
36	S21-060.010-010(Z)	1	mirror bracket	
37	A210/YB4-Z3	1	mirror, assembly	
38	S21-026.010-001	1	slide sleeve	
39	S21-026.010-010	1	mechanical stage	
40	020-434.040-005	1	cap	
41	S21-434.020-016	1	cover	
42	016-012.001-008	4	foot	
43	DIN7985-M4x8	4	screw	BN384-M4x8
44	DIN7985-M3x10	2	screw	BN384-M3x10
45	DIN7985-M3x8	3	screw	BN384-M3x8
46	DIN913-M4x10	3	screw	BN272-M4x10
47	S73-848.220-400	3	washer	GB848-85-4
48	DIN7985-M2.5x20	2	screw	BN384-M2.5x20
49	DIN7985-M3x6	1	screw	BN384-M3x6
50	S21-020.010-008	4	washer	
51	DIN7981-St2.9x6.5	2	screw	BN1016St2.9x6.5
52	DIN7981-B3.5x9.5	2	screw	BN82428 ϕ 3.5x8
53	S73-862.163-300	2	toothed disc	GB862-85-3
54	S73-862.163-400	2	toothed disc	GB862-85-4
55	S21-020.010-004	1	nameplate	

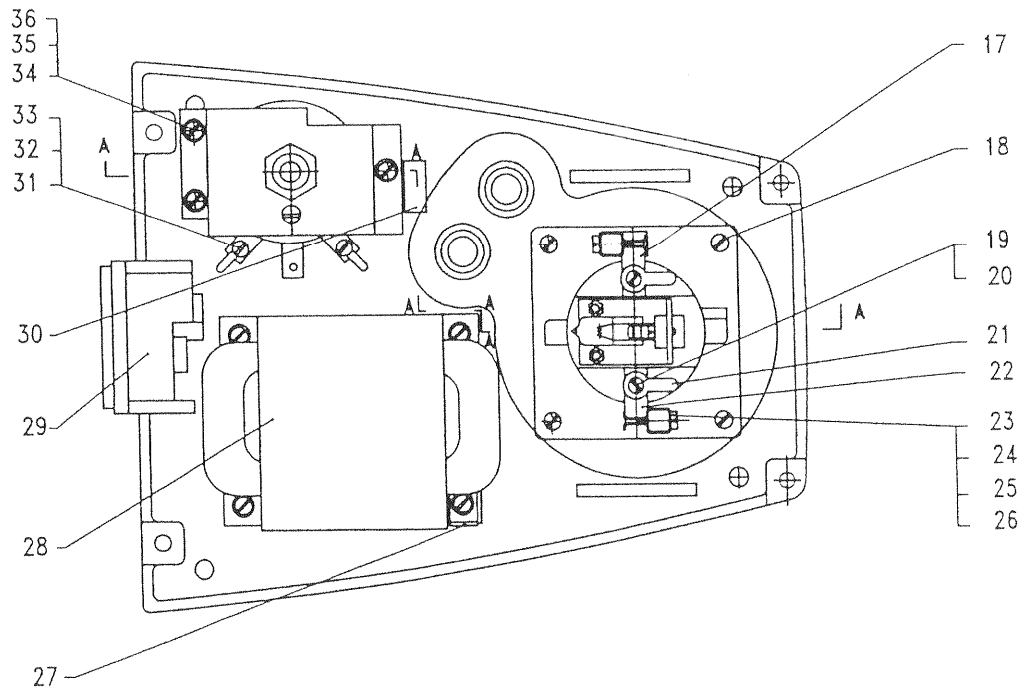
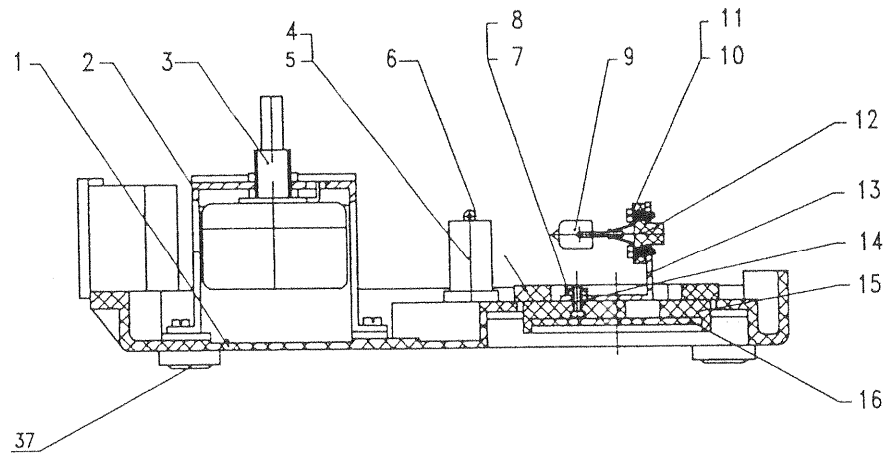


▨▨▨ = 311
 ▲▲▲ = 410

No.	Drawing Number	Quantity	Parts Name	Remark
1	S21-020.010-013	1	ledge	
2	S21-020.010-015	1	disc, spiral of Archimedes	
3	S21-020.020-014	1	stage bracket	
4	S21-020.010-017	4	rod	
5	S21-020.020-013	1	ledge	
6	S21-020.020-012	1	ledge, right	
7	S21-020.010-016	4	rod	
8	S21-020.010-018	2	roller cage	
9	S21-020.010-019	2	flange	
10	020-580.010-062	2	fine control knob	
11	2XA-217	2	nut	
12	S21-020.010-020	2	coarse control knob	
13	S21-020.010-021	1	key	
14	S21-020.010-022	2	flange	
15	S21-020.010-025(Z)	1	fine focusing, Assembly	
16	S22-020.010-011	1	stand	
17	S21-020.020-100	3	screw	
18	S21-020.010-012	1	ledge , left	
19	DIN7985-M2.5x12	1	screw	BN384-M2.5x12
20	S76-308.000-400	16	ball	4 I GB308-77
21	DIN916-M3x5	2	screw	BN27-M3x5
22	DIN916-M4x12	1	screw	BN27-M4x12
23	DIN7985-M3x10	4	screw	BN381-M3x10
24	DIN913-M4x10	1	screw	BN24-M4x10
25	DIN7985-M2.5x6	2	screw	BN384-M2.5x6
26	DIN7985-M3x6	3	screw	BN380-M3x6
27	DIN7980-M3x10	4	screw	BN82428-M3x10
28	DIN916-M3x5	2	screw	BN27-M3x5
29	711-100.163-000	3	screw	BN1392-M4x12
30	S75-119.000-306	6	pin	GB119-76-3x6
31	S75-119.000-308	2	pin	GB119-76-3x8
31a	DIN7985-M3x8	2	screw	BN380-M3x8

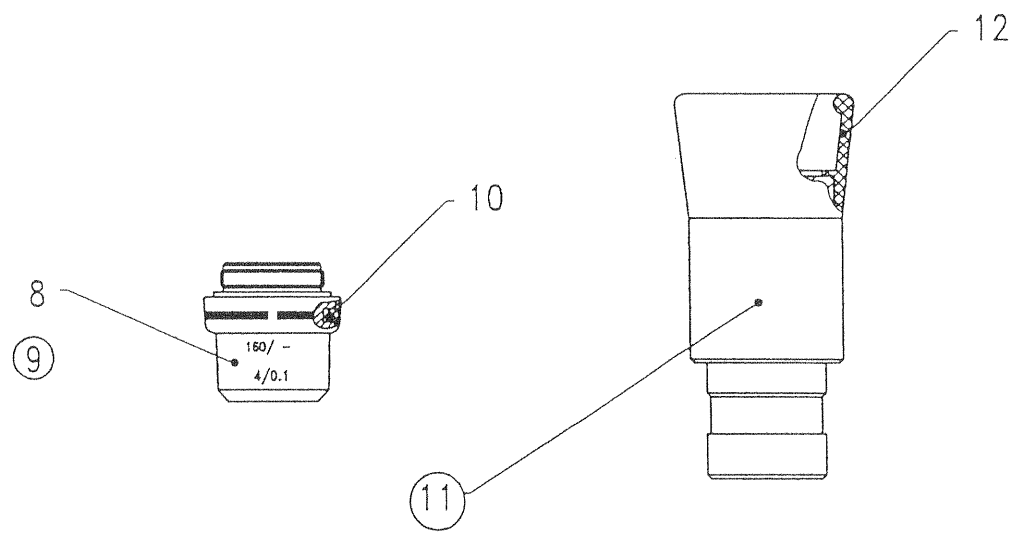
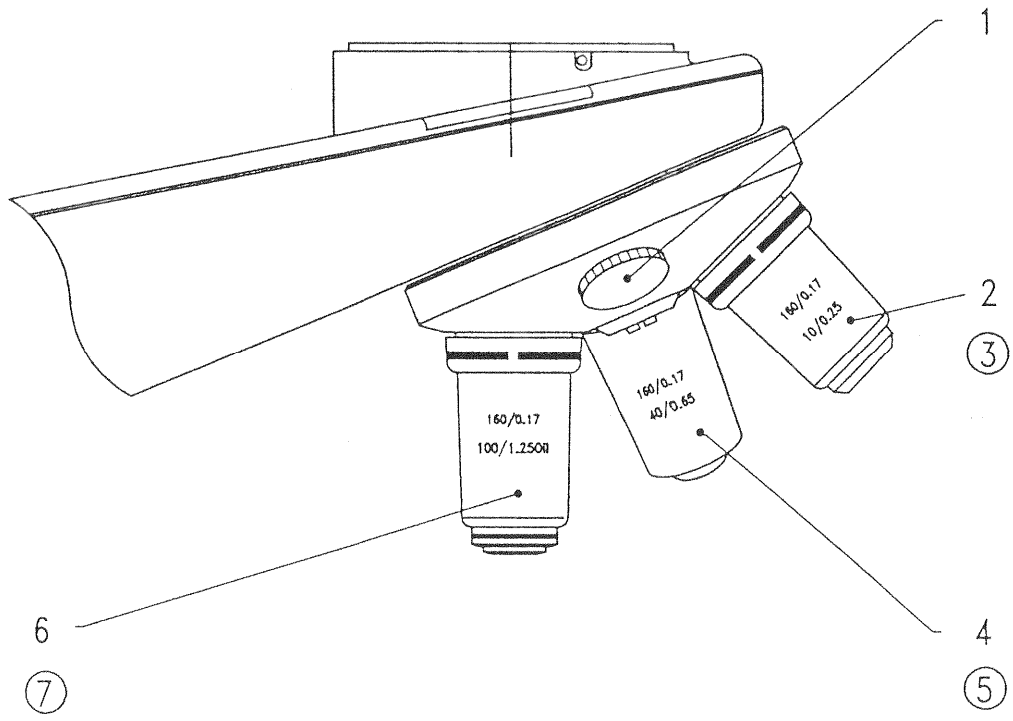
No.	Drawing Number	Quantity	Parts Name	Remark
32	S22-030.010-000	1	source base, Assembly	
33	44x-1	1	lens	
34	S77-101.000-030	1	retaining ring	
35	S22-020.010-021	1	lens housing	
36	S22-940.010-020	1	blue filter	
37	S22-020.010-015	1	ring	
38	S21-026.010-001	1	slide sleeve	
39	S21-026.010-010	1	mechanical stage	
40	020-434.040-005	1	cap	
41	S21-434.020-016	1	cover	
42	KYZ20-16-6J	1	knob	
43	S22-030.010-250	1	power cord	
44	DIN7985-M4x14	4	screw	BN384-M4x14
45	DIN7985-M3x6	2	screw	BN384-M3x6
46	DIN7985-M3x8	3	screw	BN384-M3x8
47	DIN913-M4x10	3	screw	BN272-M4x10
48	S73-848.220-400	3	washer	GB848-85-4
49	DIN7985-M2.5x20	2	screw	BN384-M2.5x20
50	DIN7985-M3x6	1	screw	BN384-M3x6
51	S73-848.220-300	2	washer	GB848-85-3
52	S22-020.020-001	1	nameplate	
53	15-4	1	conductor	
54	DIN7985-M3x4	1	screw	BN384-M3x4
55	S73-862.163-300	1	toothed disc	GB862-85-3
56	S21-020.010-008	4	washer	
57	DIN7981-St2.9x6.5	2	screw	BN1016St2.9x6.5
58	S73-862.220-400	2	washer	GB862-85-4
59	S73-862.163-300	2	washer	GB862-85-3
60	DIN7981-B3.5x8	2	screw	BN82428 ϕ 3.5x8

38

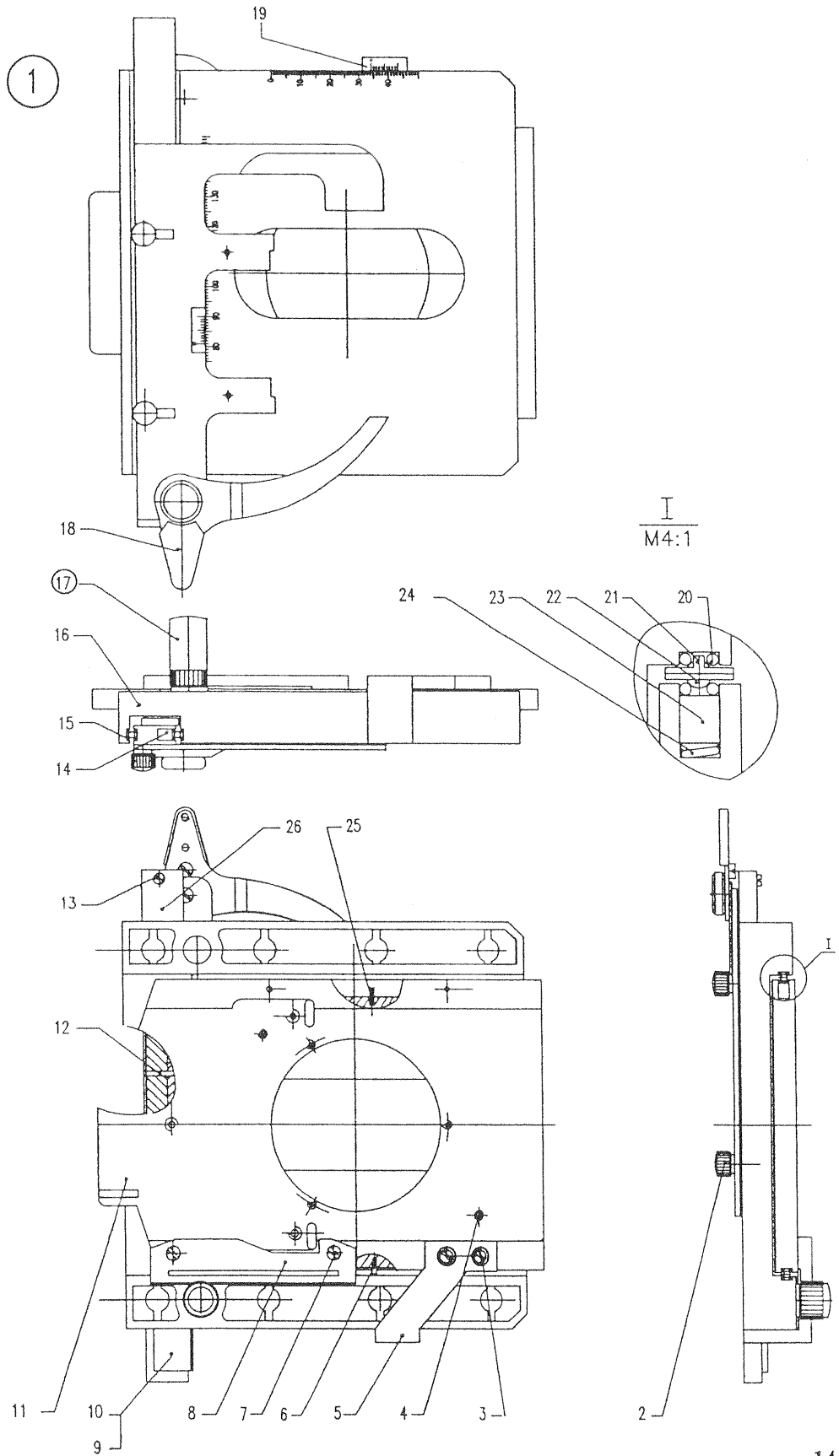


No.	Drawing Number	Quantity	Parts Name	Remark
1	S22-030.010-001	1	base	
2	S22-030.010-002	1	resistor bracket	
3	S22-030.010-011	1	resistor	
4	302-029.014-002	2	fuse holder	
5	878-265.000-000	2	fuse	
6	S22-030.010-004	2	mount holder	
7	S72-052.220-300	2	nut	
8	S73-848.220-300	2	washer	GB52-85-3
9	S22-030.010-010	1	bulb	
10	708-492.220-000	2	screw	DIN7985-M2x8
11	S73-848.220-200	2	washer	GB848-85-2
12	302-033.083-003	1	bulb mount	
13	020-435.011-013	1	bracket	
14	707-953.220-000	2	screw	DIN7985-M3x8
15	S22-030.010-102	1	disc	
16	S22-030.010-101	1	cover plate	
17	S22-030.010-005	1	spring mount	
18	710-201.606-000	4	screw	BN82427-M3X8
19	707-952.220-000	2	screw	DIN7985-M3x6
20	S73-848.220-300	2	washer	GB848-85-3
21	15-4	2	soldering lug	
22	44XD-10	1	spring	
23	707-945.220-000	2	screw	DIN7985-M2.5X6
24	S73-848.220-250	2	washer	GB848-85-2.5
25	15-2	2	soldering lug	
26	44XD-11	2	spring	
27	S22-030.010-018	1	cable holder	
28	R-10	1	transformer	
29	302-016.059-001	1	plug	
30	S22-030.010-110	1	fuse namepaper	
31	707-945.220-000	2	screw	DIN7985-M2.5X6
32	S72-052.220-250	2	nut	GB52-85-2.5

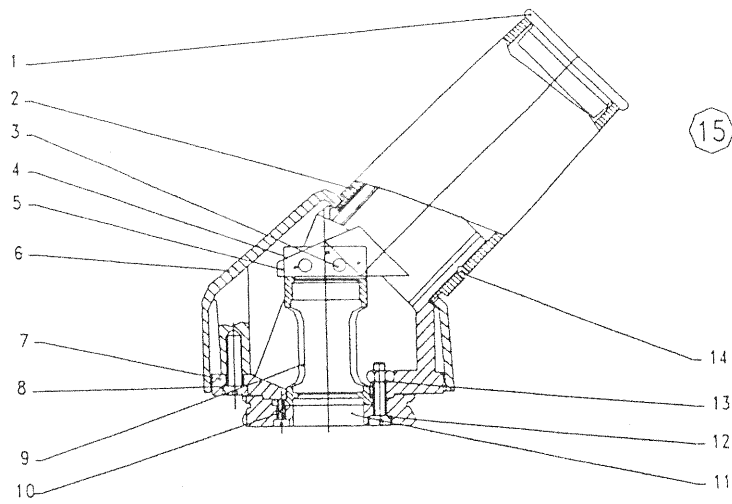
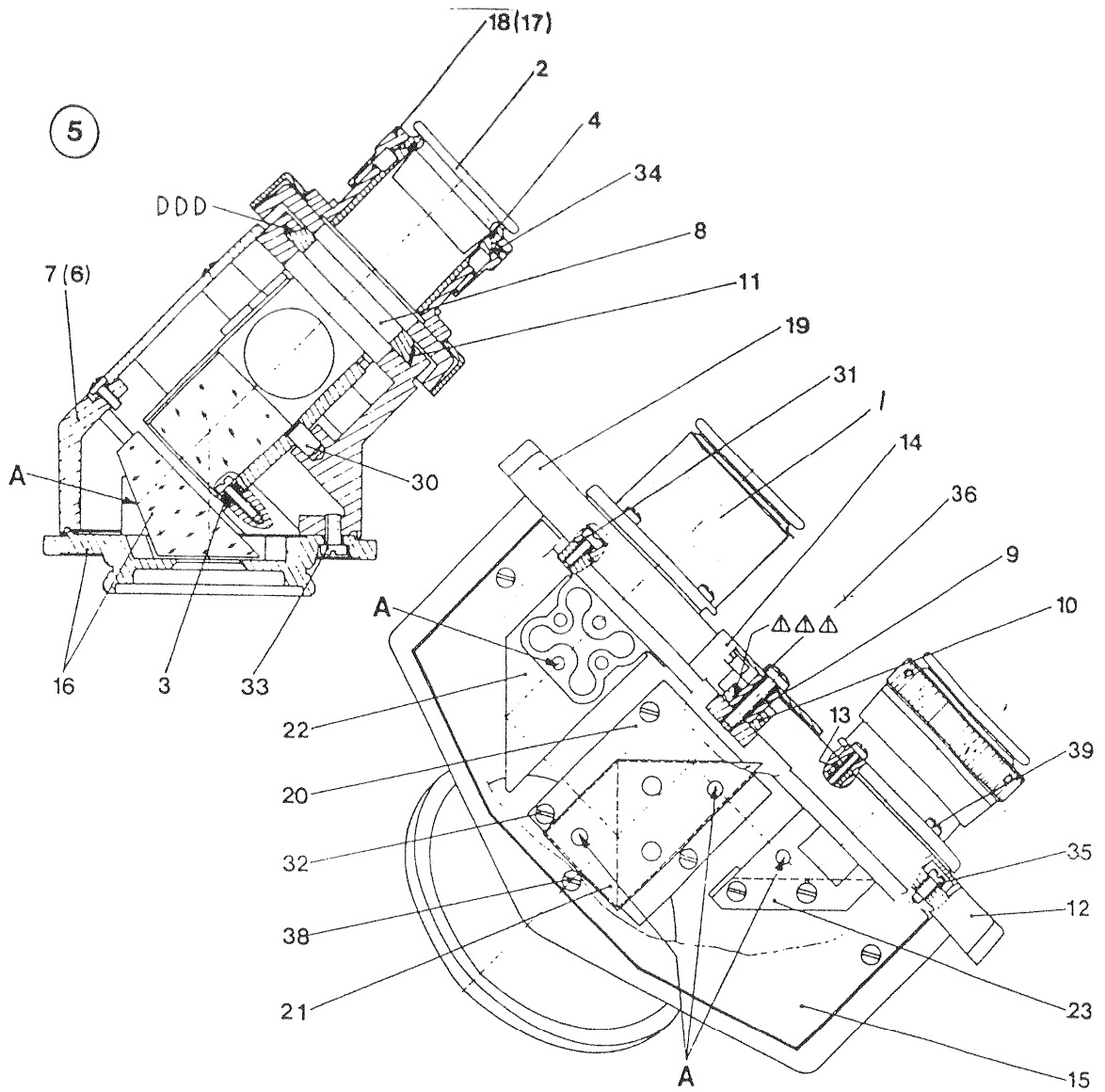
No.	Drawing Number	Quantity	Parts Name	Remark
33	15-2	2	soldering lug	
34	709-967.220-000	7	screw	BN82428-M3x8
35	S73-848.220-300	7	washer	GB848-85-3
36	S73-093.163-300	7	toothed disc	GB93-85-3
37	016-012.001-008	4	foot	
38	S22-030.010-000	1	source base, Assembly	



No.	Drawing Number	Quantity	Parts Name	Remark
1	016-016.005-200	1	cover	Option
2	S11-022.110-083	1	sleeve	
3	S11-022.110-000	1	objective 10/0.25	
4	S11-022.140-083	1	sleeve	
5	S11-022.140-000	1	objective 40/0.65	
6	S11-022.198-083	1	sleeve	
7	S11-022.198-000	1	objective 100/1.25Oil	
8	S11-022.104-002	1	sleeve	
9	S11-022.104-000	1	objective 4/0.1	
10	022-001.050-070	1	spring ring	
11	S21-021.010-000	2	10x/18 eyepieces	
12	021-242.505-012	2	eyeguard	

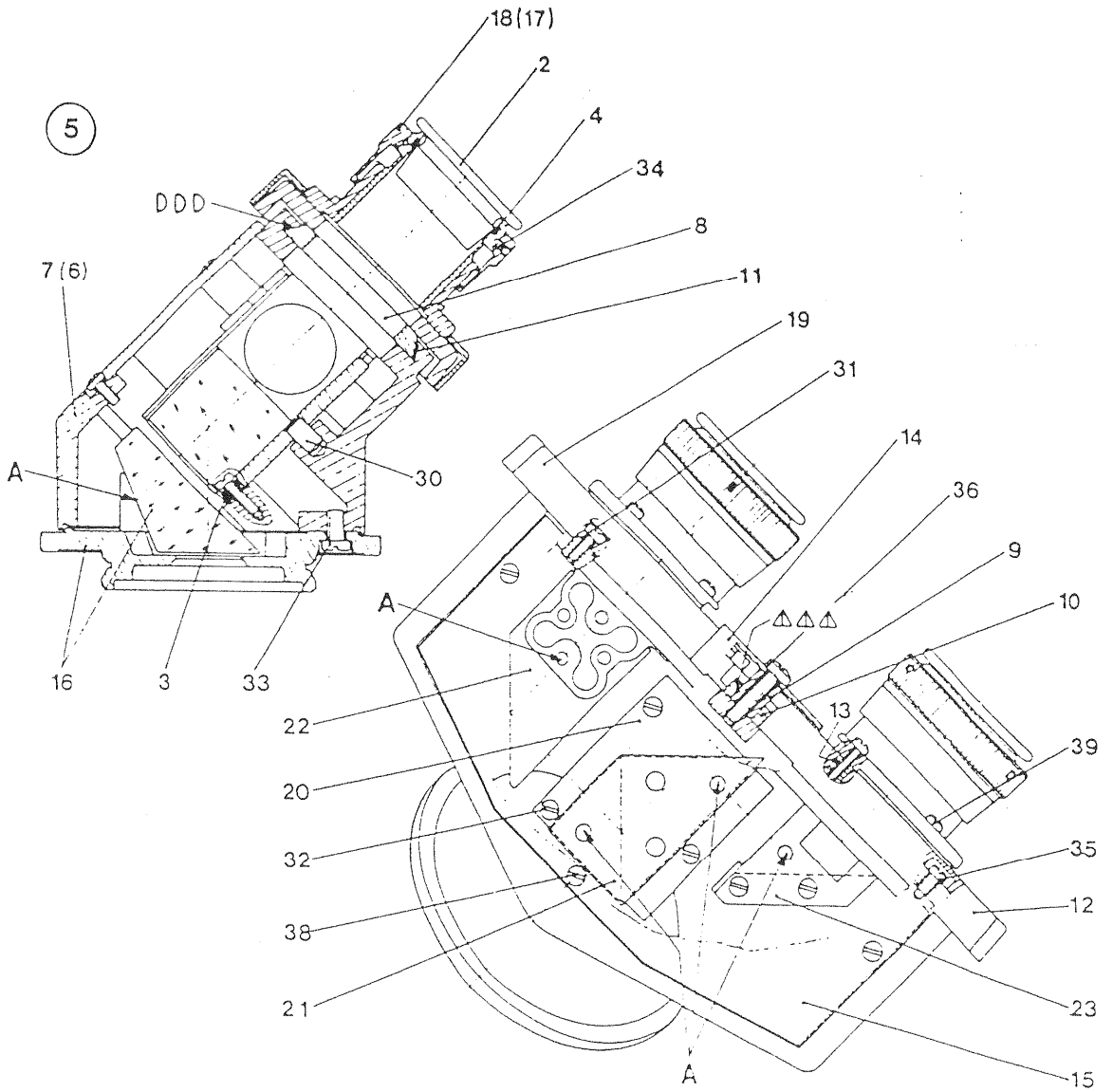


No.	Drawng Number	Quantity	Parts Name	Remark
1	S21-026.010-010	1	MECHANICAL STAGE	
2	2xc-51	2	knurled knob	
3	DIN7985-M2.5x6	2	screw	GB823-85-M2.5x6
4	DIN7985-M3x5	2	screw	GB823-85-M3x5
5	2xc-53	1	bracket	
6	GB119-76-1X3	1	pin	
7	DIN7985-M2.5x6	2	screw	GB823-85-M2.5x6
8	S21-026.010-011	1	rack	
9	2xc-62	1	rack	
10	DIN7985-M2x4	2	screw	GB823-85-M2x4
11	S21-026.010-012	1	stage plate	
12	GB119-76-1X14	1	pin	
13	GB831-85-M2x2.5	1	screw	
14	2xc-59	1	ledge	
15	2xc-60	8	rod	
16	S21-026.010-013	1	stage plate	
17	2xe-z13	1	knurled knob	
18	2xc-z37	1	bow-shaped lever	
19	2xc-66	1	scale plate	
20	2xc-56	8	rod	
21	2xc-54	4	ball bearing cage	
22	GB308-77-2.51	56	ball	
23	2xc-55	1	ledge	
24	2xc-58	4	spring	
25	GB119-76-1x8	1	pin	
26	2xc-165	1	ledge	

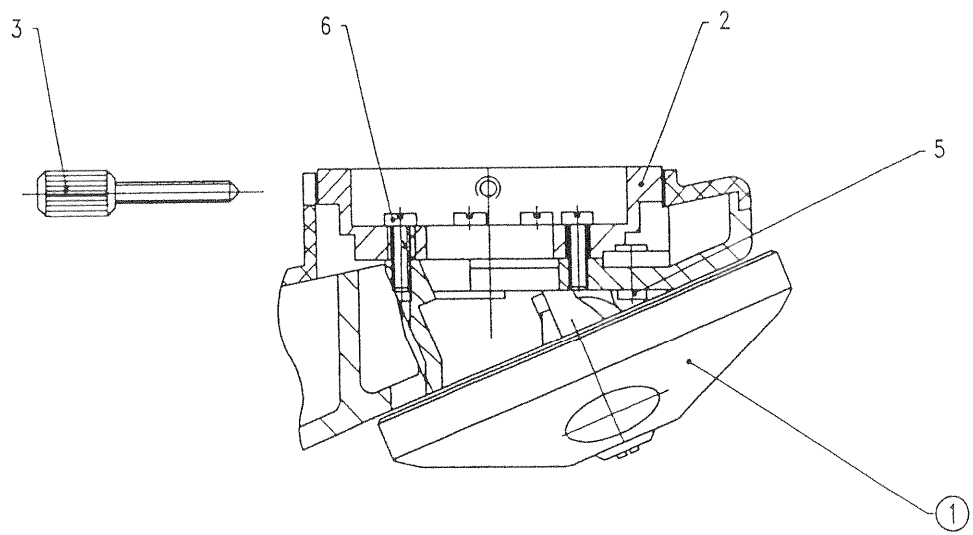
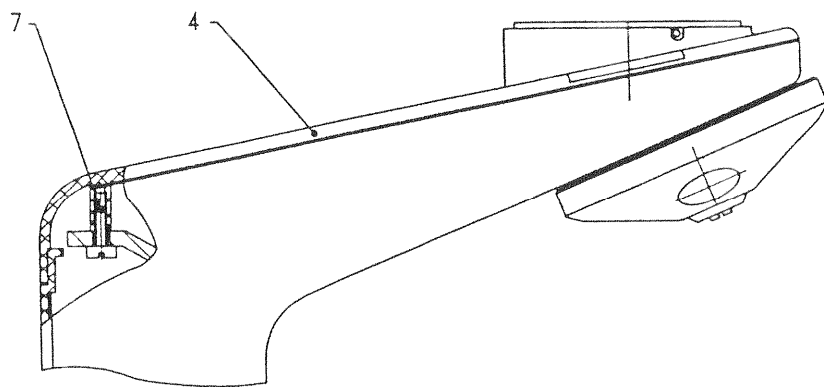


No.	Drawing Number	Quantity	Parts Name	Remark
1	Sol-042.040-001	1	eyepiece tube	
2	016-016.005-232	2	dust cover	
3	020-370.003-066	3	spring	
4	020-370.303-012	2	ring	
5	Sol-042.040-000	1	binoculartube	
6	020-370.350-005	1	tube body with slide	
7	020-370.350-007	1	tube body	
8	020-370.350-009	2	slide	
9	020-370.350-020	1	sleeve	
10	020-370.350-022	1	lever	
11	020-370.350-024	2	spring	
12	020-370.350-027	1	plate	
13	020-370.350-028	8	roller	
14	020-370.350-030	1	cover	
15	Sol-042.040-004	1	cover	
16	Sol-042.040-032	1	flange ring	
17	S20-370.350-036	1	eyepiece tube	
18	020-370.350-040	1	ring	
19	020-370.370-026	1	plate	
20	020-387.305-048	1	centre prism	
21	020-387.305-051	1	cap	
22	020-387.305-054	1	lateral prism	
23	020-387.305-058	1	lateral prism, small	
30	700-147.000-000	1	pin	DIN 7-4m6x6
31	700-616.163-000	8	screw	DIN 84-M2x6
32	700-635.163-000	3	screw	DIN 84-M2x8
33	700-708.233-000	3	screw	DIN 84-M3x6
34	702-648.163-000	6	screw	DIN 553-M2x3
35	705-380.163-000	1	screw	DIN 922-M3x4x2
36	707-955.233-000	1	screw	DIN 7985-AM3x12
38	708-490.233-000	3	screw	DIN 7985-M2x5
39	708-493.233-000	8	screw	DIN 7985-M2x10

No.	Drawing Number	Quantity	Parts Name	Remark
1	016-016.005-232	1	dust cover	
2	S21-041-010-011	1	sleeve	
3	708-091.220-000	2	screw	DIN551-M2.5x4
4	S21-041.010-002	1	plate	
5	2XA-4	1	prism	
6	S21-041.010-012	1	housing	
7	S21-041.010-006	1	tube body	
8	708-071.233-000	3	screw	DIN7981 B2.9x13
9	S21-041.010-003	1	prism support	
10	708-489.220-000	3	screw	DIN7985-M2x4
11	S21-041.010-007	1	ring	
12	700-724.163-000	3	screw	DIN84 M3x14
13	S72-054.220-300	3	nut	GB6170-M3
14	702-648.220-000	1	screw	DIN553 M2X3
15	S21-041.010-000	1	MONO-OCULARTUBE	

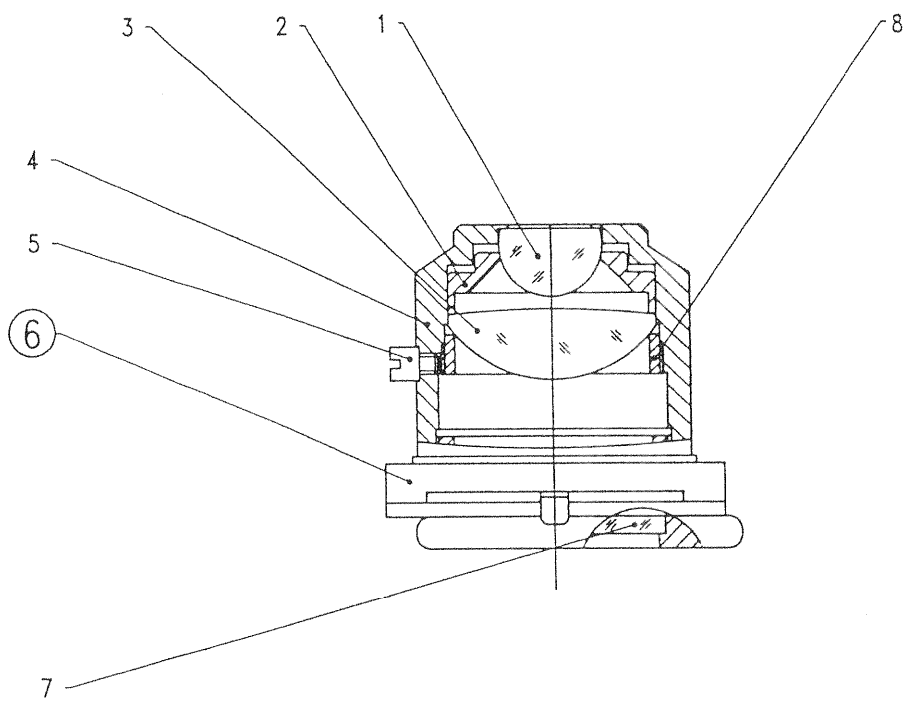


No.	Drawing Number	Quantity	Parts Name	Remark
2	016-016.005-232	2	dust cover	
3	020-370.003-066	3	spring	
4	020-370.303-012	2	ring	
5	020-370.350-000	1	binoculartube	
6	020-370.350-005	1	tube body with slide	
7	020-370.350-007	1	tube body	
8	020-370.350-009	2	slide	
9	020-370.350-020	1	sleeve	
10	020-370.350-022	1	lever	
11	020-370.350-024	2	spring	
12	020-370.350-027	1	plate	
13	020-370.350-028	8	roller	
14	020-370.350-030	1	cover	
15	020-370.350-029	1	cover	
16	020-370.350-032	1	flange ring	
17	S20-370.350-036	2	eyepiece tube	
18	020-370.350-040	2	ring	
19	020-370.370-026	1	plate	
20	020-387.305-048	1	centre prism	
21	020-387.305-051	1	cap	
22	020-387.305-054	1	lateral prism	
23	020-387.305-058	1	lateral prism, small	
30	700-147.000-000	1	pin	DIN 7-4m6x6
31	700-616.163-000	8	screw	DIN 84-M2x6
32	700-635.163-000	3	screw	DIN 84-M2x8
33	700-708.233-000	3	screw	DIN 84-M3x6
34	702-648.163-000	6	screw	DIN 553-M2x3
35	705-380.163-000	1	screw	DIN 922-M3x4x2
36	707-955.233-000	1	screw	DIN 7985-AM3x12
38	708-490.233-000	3	screw	DIN 7985-M2x5
39	708-493.233-000	8	screw	DIN 7985-M2x10



No.	Drawing Number	Quantity	Parts Name	Remark
1	020-422.526-000	1	Revolving nosepiece	
2	S22-020.010-001	1	mount	LEITZ-EMED 6
3	020-580.010-080	1	knurl screw	
4	020-434.010-081	1	cover	
5	DIN7981-B3.5x10	2	screw	BN82428 ϕ 3.5X10
6	DIN7985-M3x10	6	Stainless screw	BN2845-M3x10
7	DIN7981-B3.5x16	1	screw	BN82428 ϕ 3.5X16
8	S21-020.010-001	1	mount	LEITZ-EMED 2

⑨



No.	Drawing Number	Quantity	Parts Name	Remark
1	TZ-13A-1	1	lens	
2	S21-023.010-001	1	ring	
3	QB22-4	1	lens	
4	S21-023.010-001	1	mount	
5	023-120.002-032	1	screw	
6	2xc-z41	1	iris leaf , Assembly	
7	2xc-12	1	diffuser, critical	
8	S21-Q23.010-003	1	retaining ring	
9	S21-023.010-000	1	condensor	